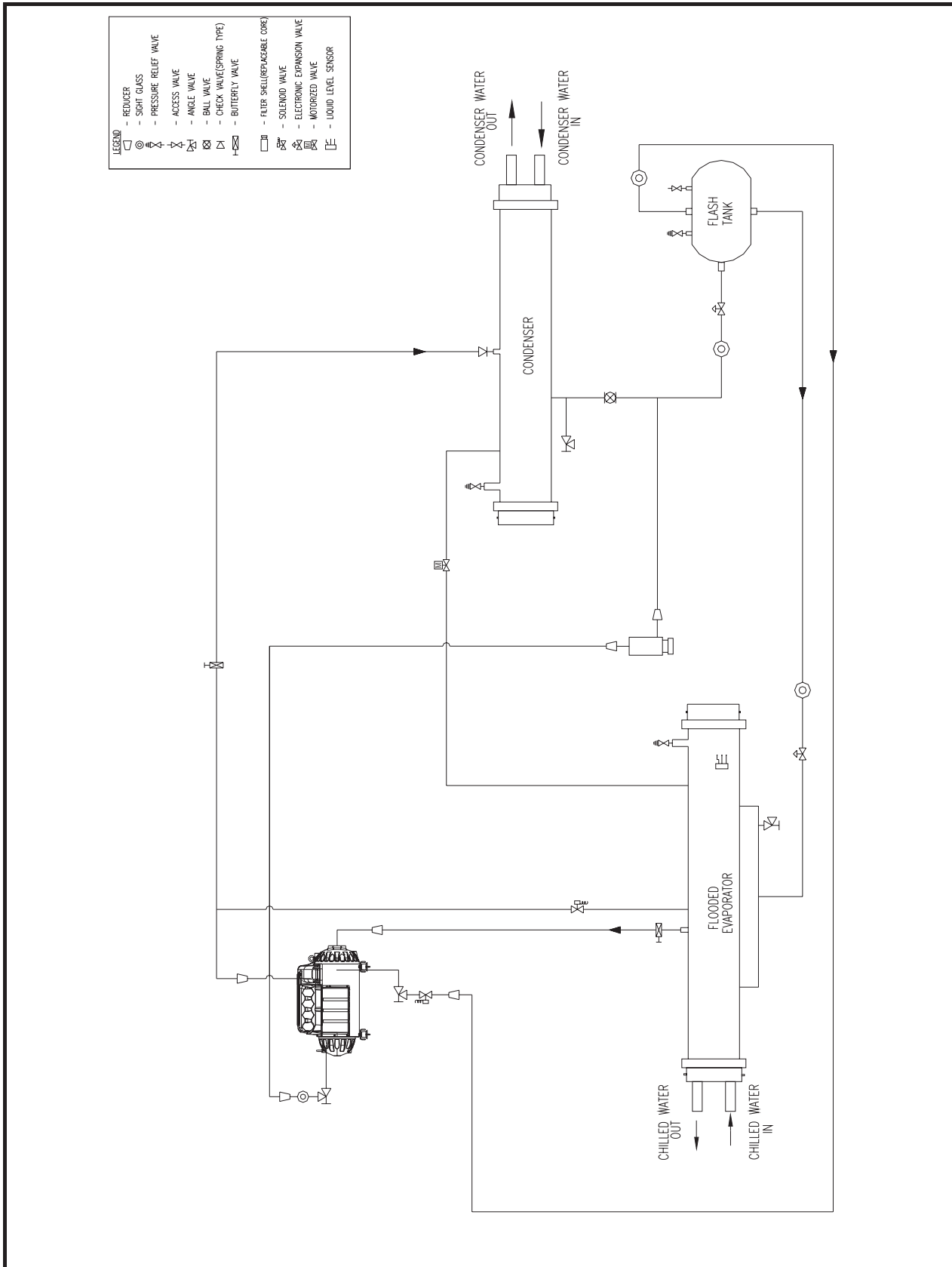


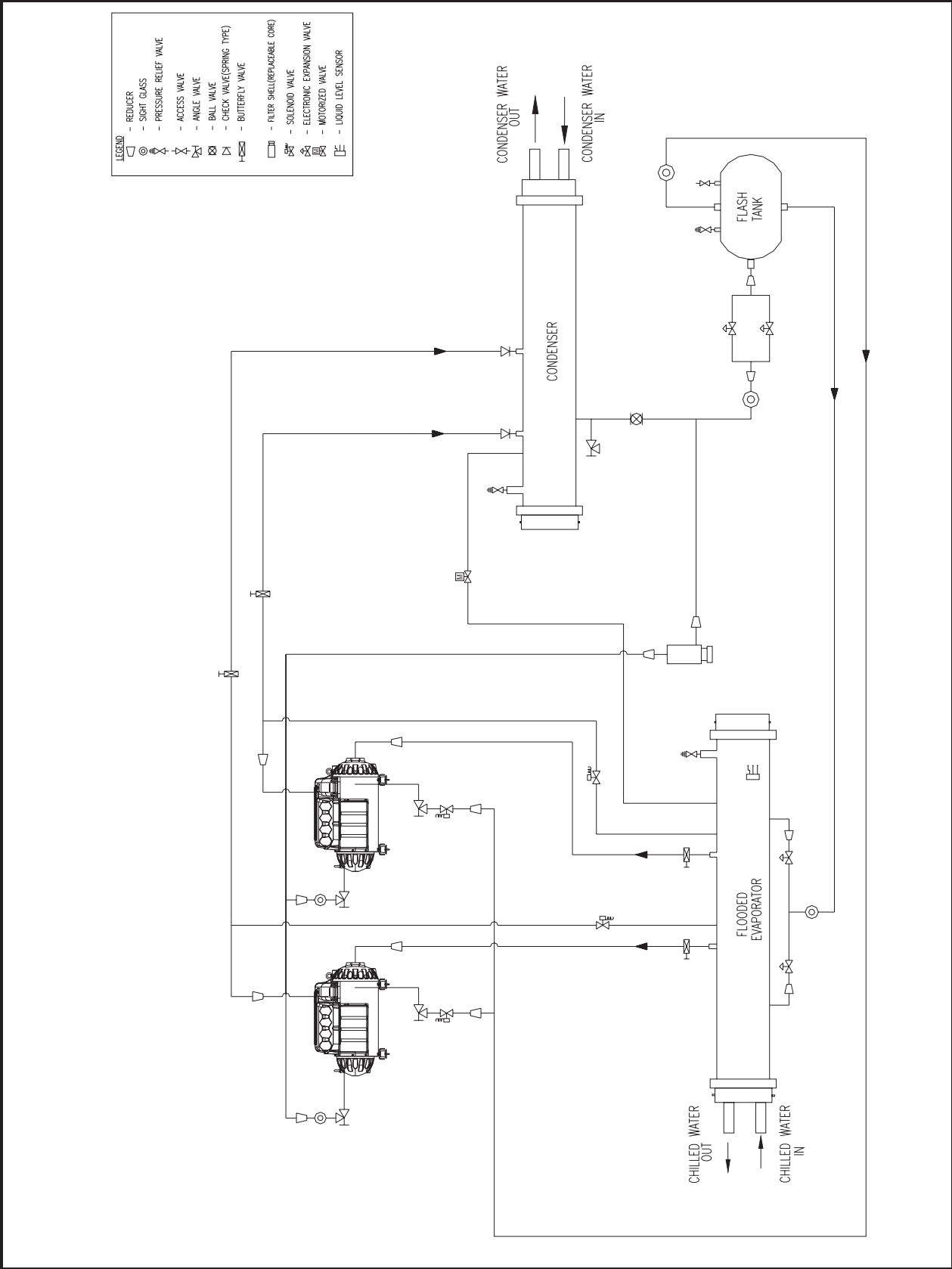
15.0 TYPICAL PIPING DIAGRAM

1 COMPRESSOR UNIT



15.0 TYPICAL PIPING DIAGRAM

2 COMPRESSORS UNIT

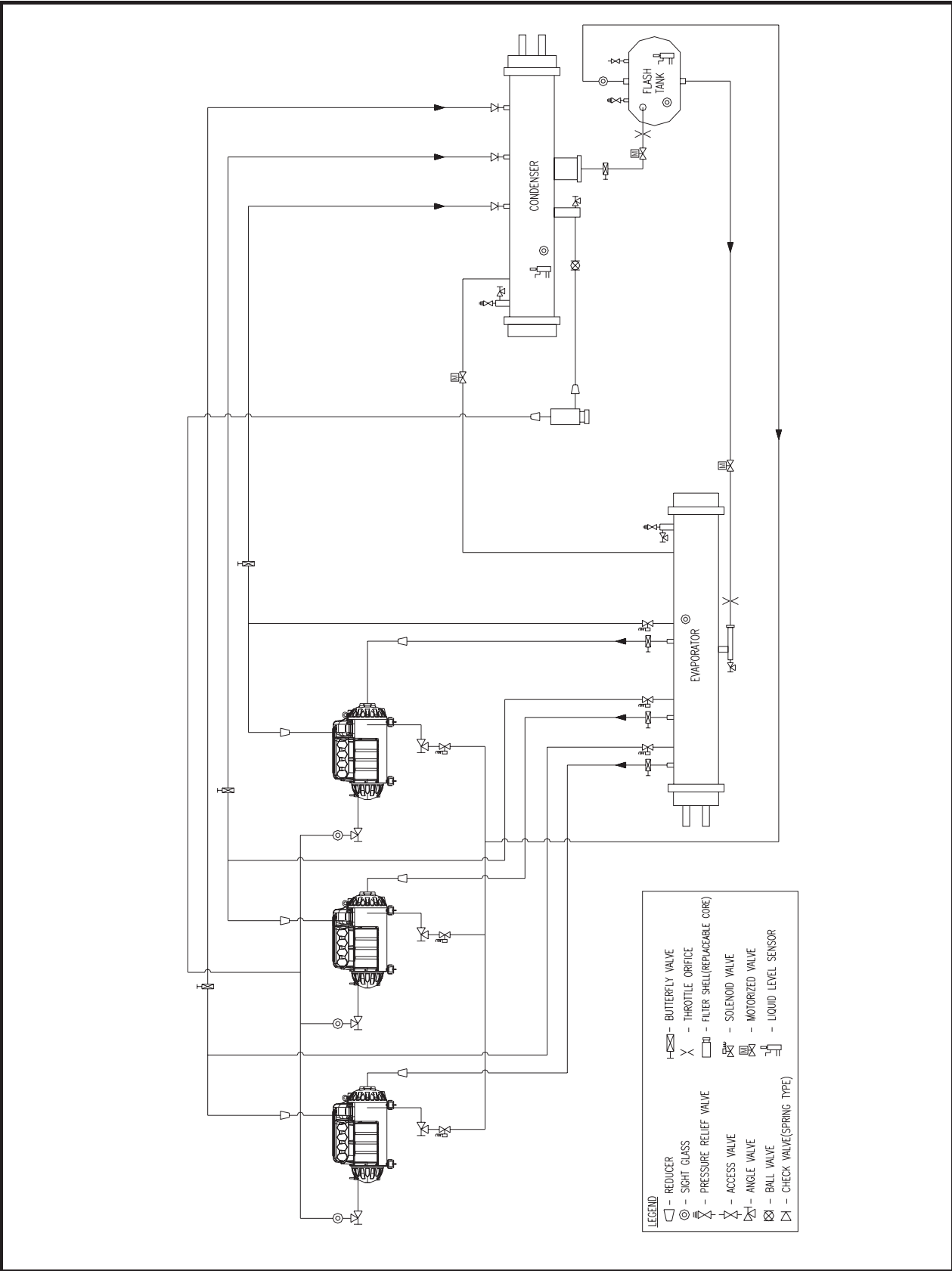


LEGEND

- REDUCER
- SIGHT GLASS
- PRESSURE RELIEF VALVE
- ACCESS VALVE
- ANGLE VALVE
- BALL VALVE
- CHECK VALVE (SPRING TYPE)
- BUTTERFLY VALVE
- FILTER SHELL (REPLACEABLE CORE)
- SOLENOID VALVE
- ELECTRONIC EXPANSION VALVE
- MOTORIZED VALVE
- LIQUID LEVEL SENSOR

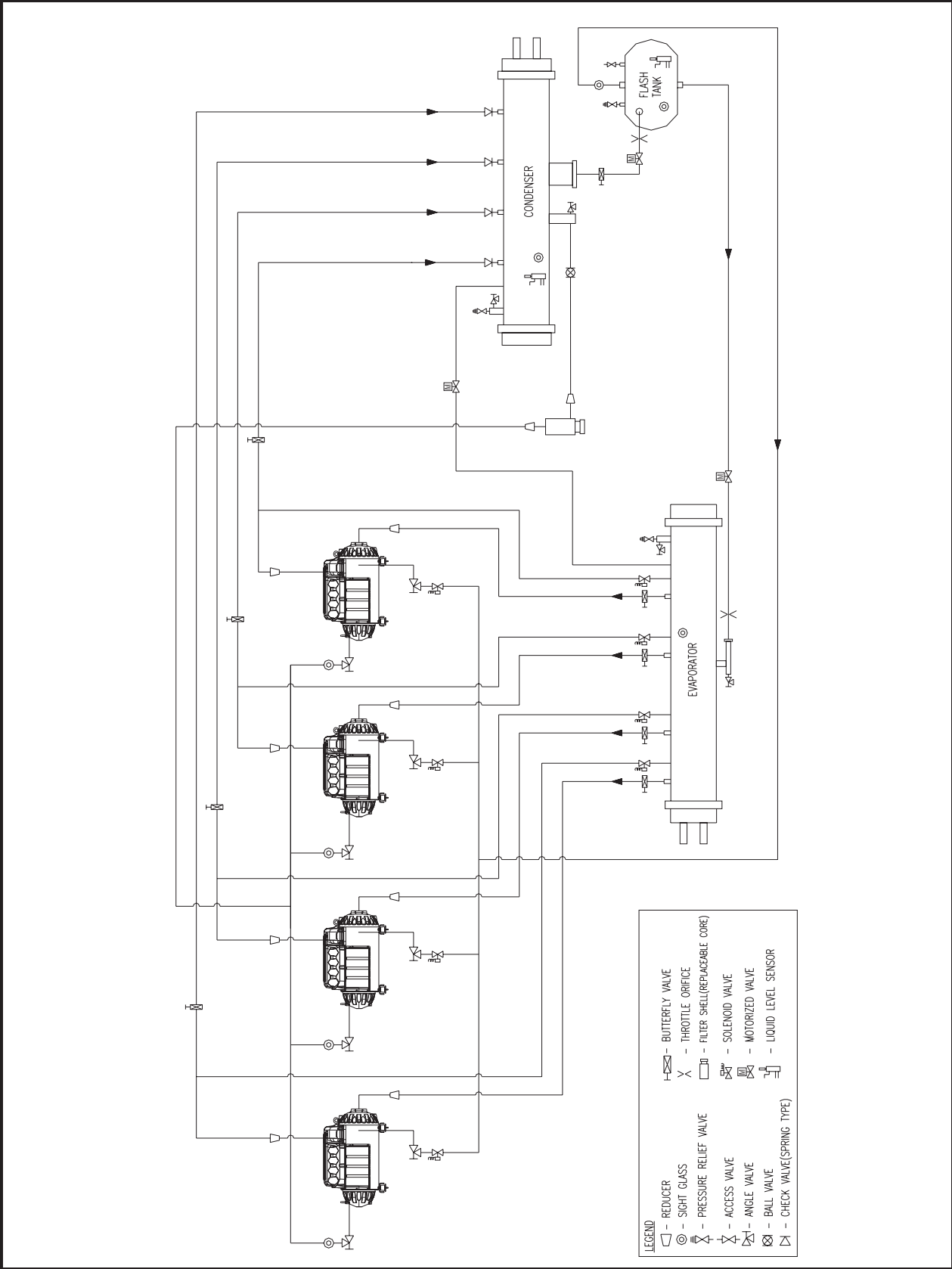
15.0 TYPICAL PIPING DIAGRAM

3 COMPRESSORS UNIT



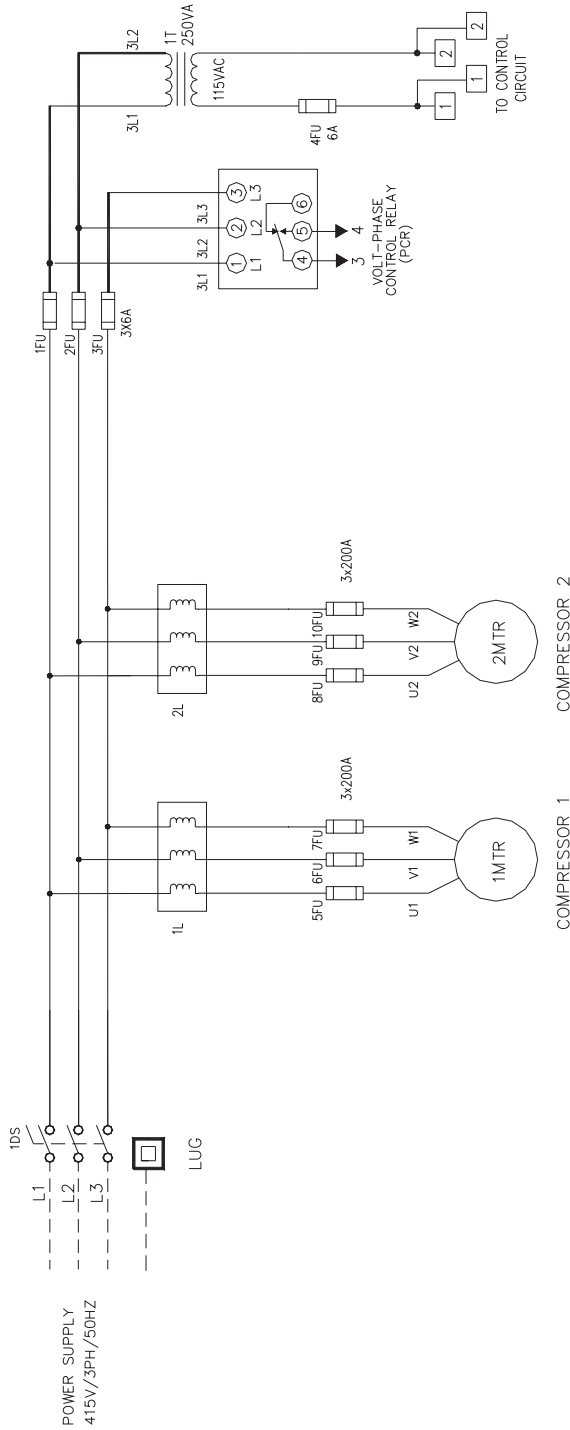
15.0 TYPICAL PIPING DIAGRAM

4 COMPRESSORS UNIT



16.0 TYPICAL WIRING DIAGRAM

2 COMPRESSORS UNIT



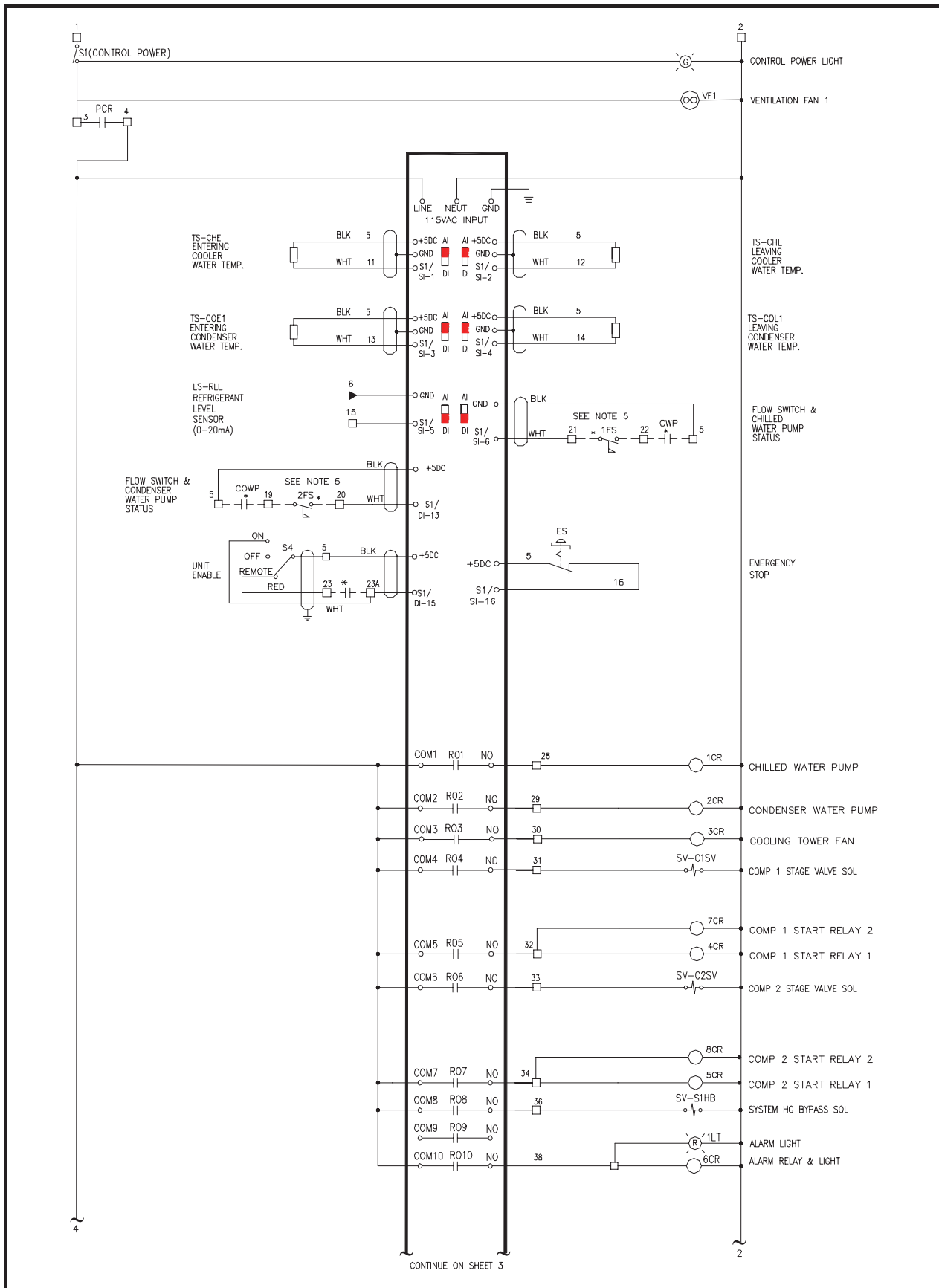
NOTES:

1. DISCONNECT MEANS & BRANCH CIRCUIT PROTECTION SHALL BE PROVIDED BY OTHERS.
2. USE COPPER CONDUCTOR ONLY. ALL FIELD WIRING TO COMPLY WITH LOCAL, STATE & NATIONAL CODES. FIELD INSTALLED CONTROL WIRING SHALL BE CLASS 1.
3. IF POWER SUPPLY HAS BEEN INTERRUPTED FOR A PROLONGED PERIOD OF TIME TO WHERE THE COMPRESSOR SUMP FEELS COLD TO THE TOUCH, THE SUMP HEATERS MUST BE ENERGISED BEFORE STARTING THE COMPRESSOR.
4. THE SHIELDED CABLES ARE RECOMMENDED FOR FIELD INSTALLED CONTROL AND SIGNAL WIRING. CONNECT ONE END OF THE SHIELD TO SUBPANEL GROUND.
5. **CAUTION: DO NOT** SUPPLY OVER 5.0VDC TO RESET INPUT. USE SHIELDED CABLE.

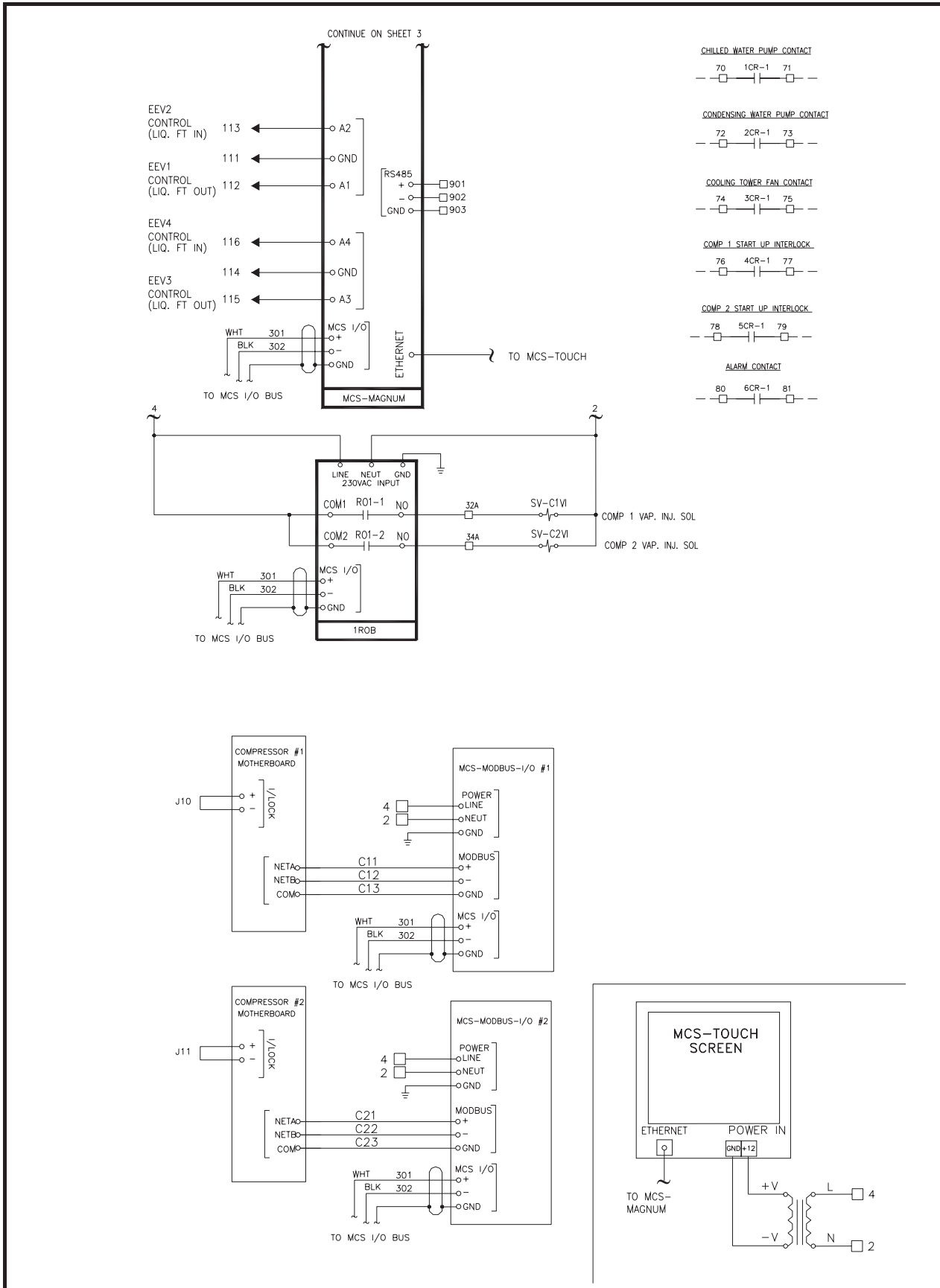
LEGEND

AI	ANALOG INPUT	SOL	SOLENOID
AMB	AMBIENT	SSR	SOLID STATE RELAY
COMP	COMPRESSOR	T	TRANSFORMER
CP	CONTROL POINT	TAS	THERMOSTAT
CPR	CAPACITOR	TLW	TEMP LEAVING WATER
CR	CONTROL RELAY	TS	TEMP. SENSOR
CWP	CHILLED WATER PUMP	UVR	UNDERVOLTAGE RELAY
CAR	CARD	VC	VALVE CONTROLLER
DI	DIGITAL INPUT	ZD	ZENER DIODE
DS	DISCONNECT SWITCH		
FLS	FUSE SWITCH	▲	MANUAL RESET
FL	FUSE	□	FIELD WRING
CRBL	CIRCUIT BOARD	*	FACTORY TERMINAL
CU	CABLE		FIELD SUPPLIED
HTR	HEATER		
HP	HIGH PRESSURE		
LP	LOW PRESSURE		
L/I	INPUT/OUTPUT		
M	MECHANICAL		
MCB	MICRO COMPUTER BOARD		
MIN	MINIMUM		
PS	PRESS. SWITCH		
PS	PRESS. TRANSDUCER		
PT	TEMP. SENSOR		
R	RELAY		
RES	RESISTOR		
RO	RELAY OUTPUT BOARD		
ROBS	RELAY OUTPUT BOARD		
SCR	SENSOR CONTROL BOARD		
S	SENSOR INPUT		
SIB	SENSOR INPUT BOARD		

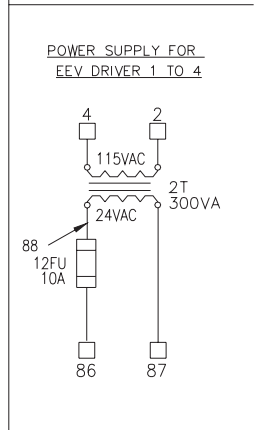
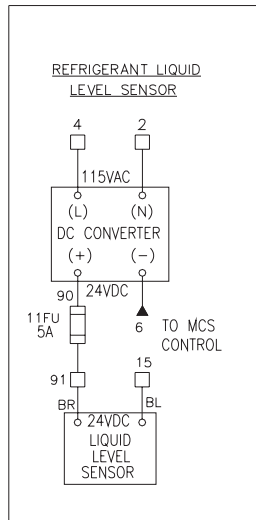
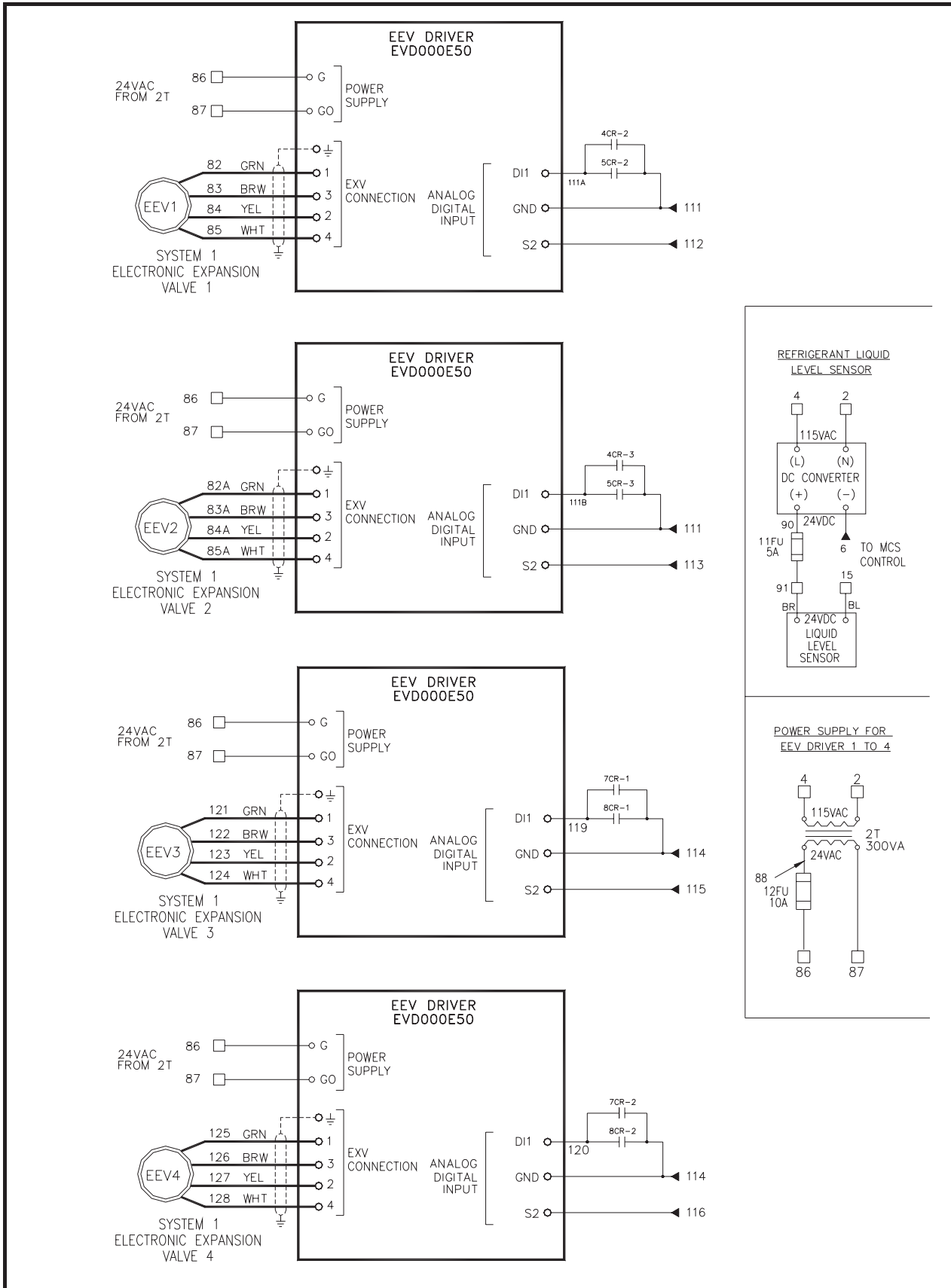
16.0 TYPICAL WIRING DIAGRAM



16.0 TYPICAL WIRING DIAGRAM



16.0 TYPICAL WIRING DIAGRAM



FIELD WIRING DIAGRAM

AP.EDMD-M Electrical Control Panel

