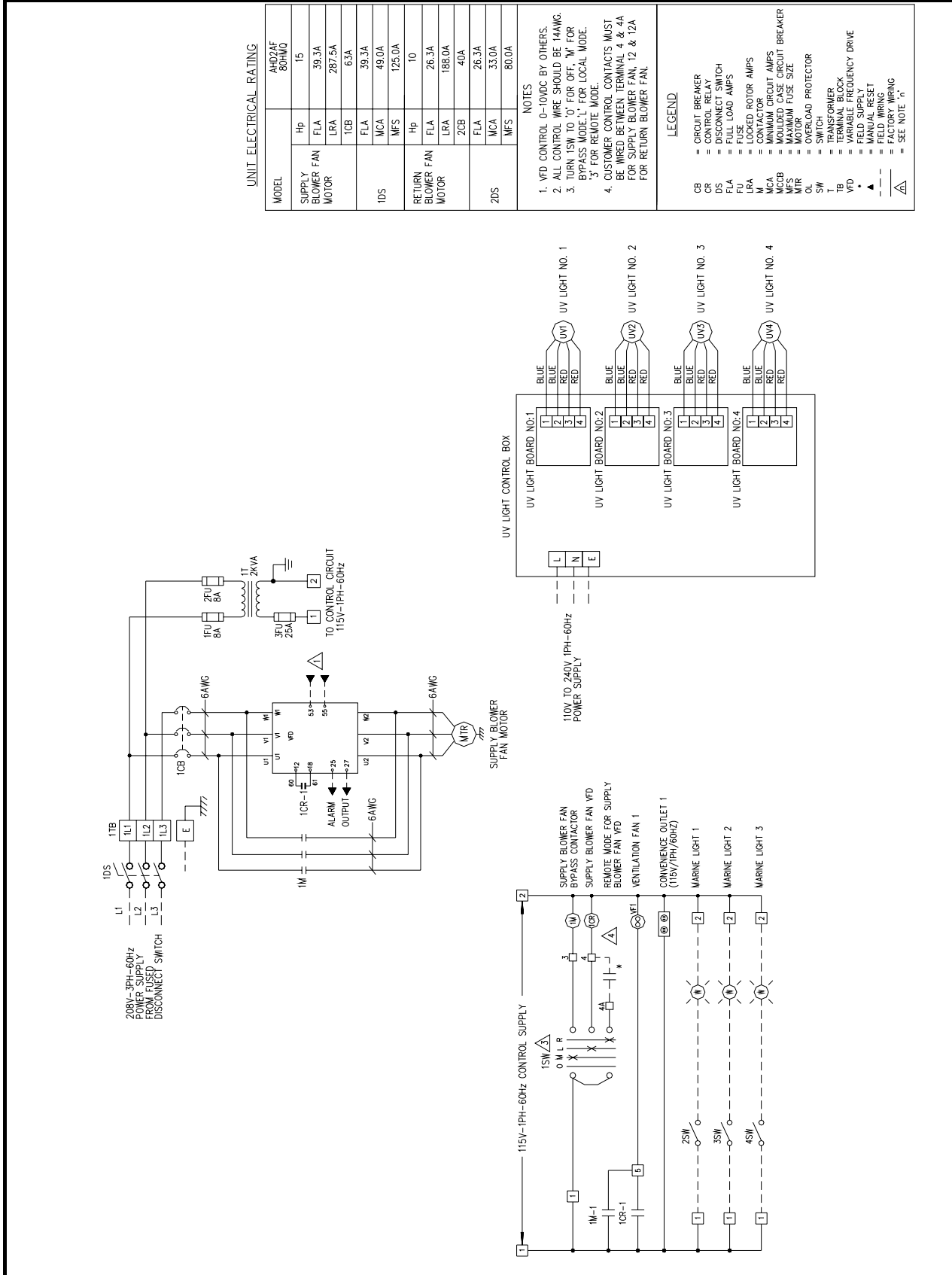


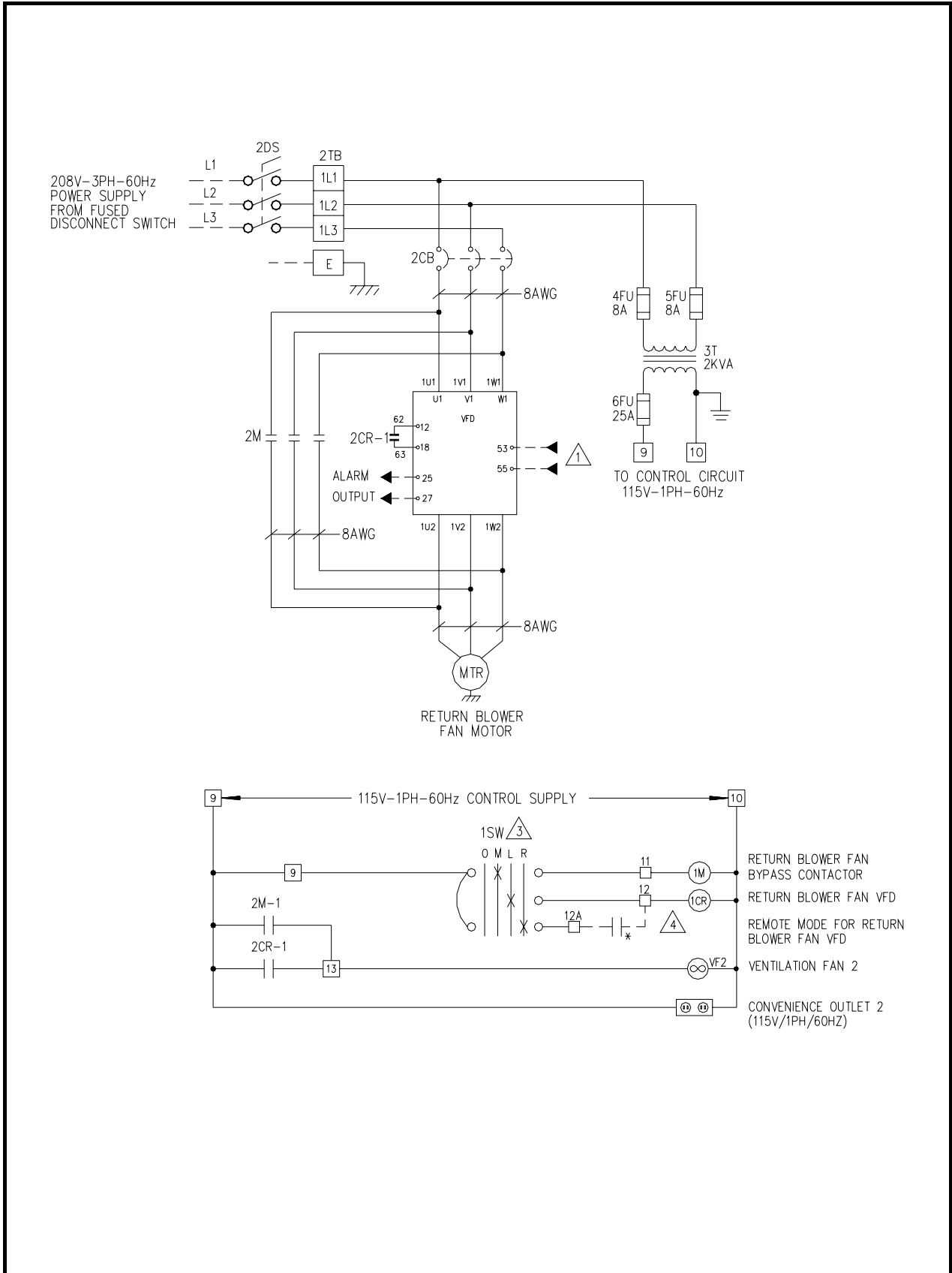
ELECTRICAL

1. SUPPLY AIR



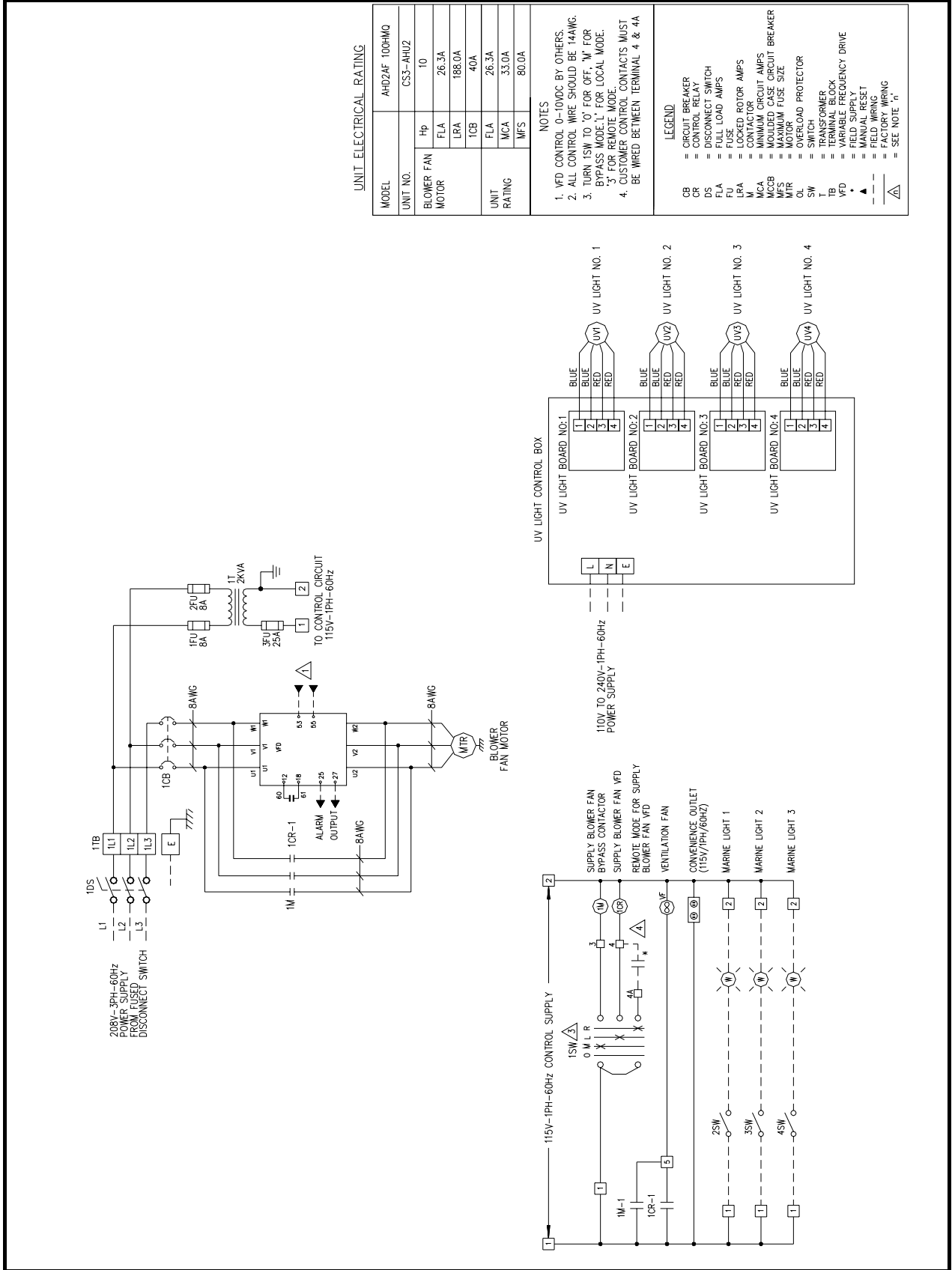
ELECTRICAL

2. RETURN AIR



ELECTRICAL

SUPPLY AIR



ELECTRICAL

SUPPLY AIR

