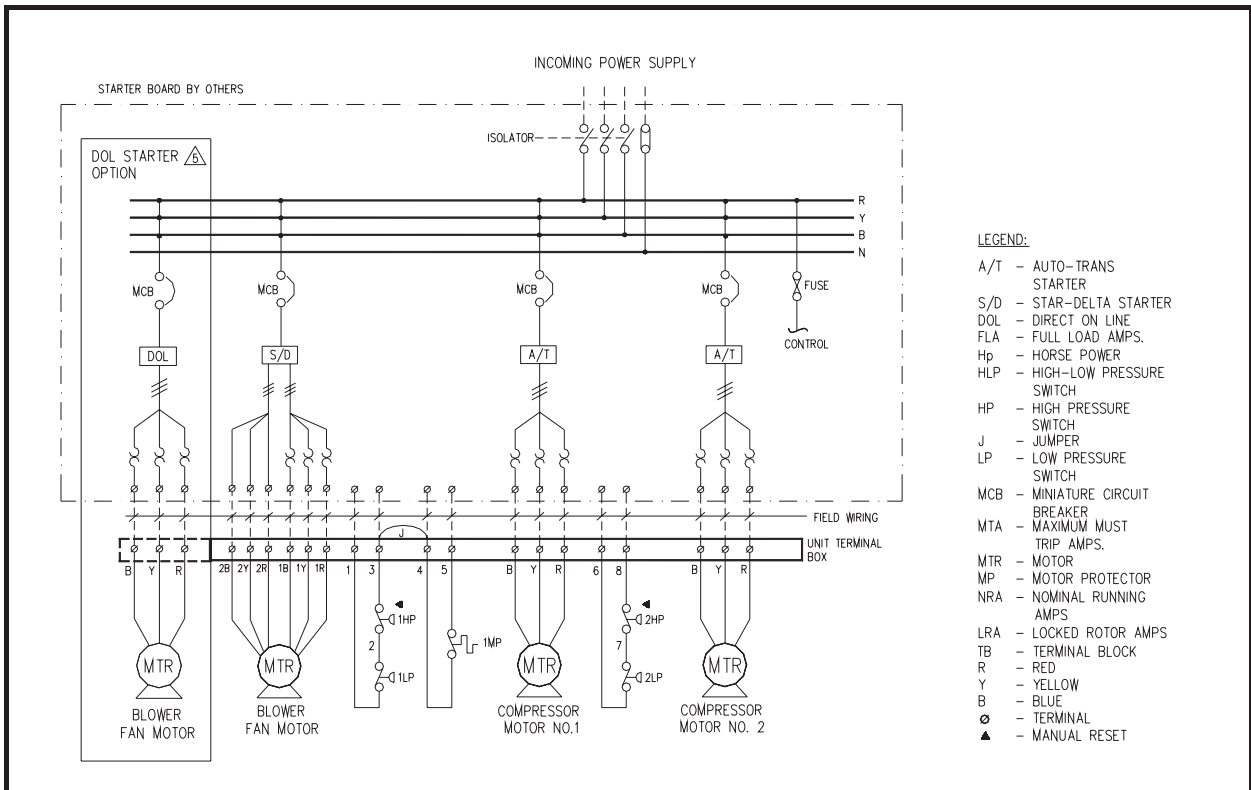
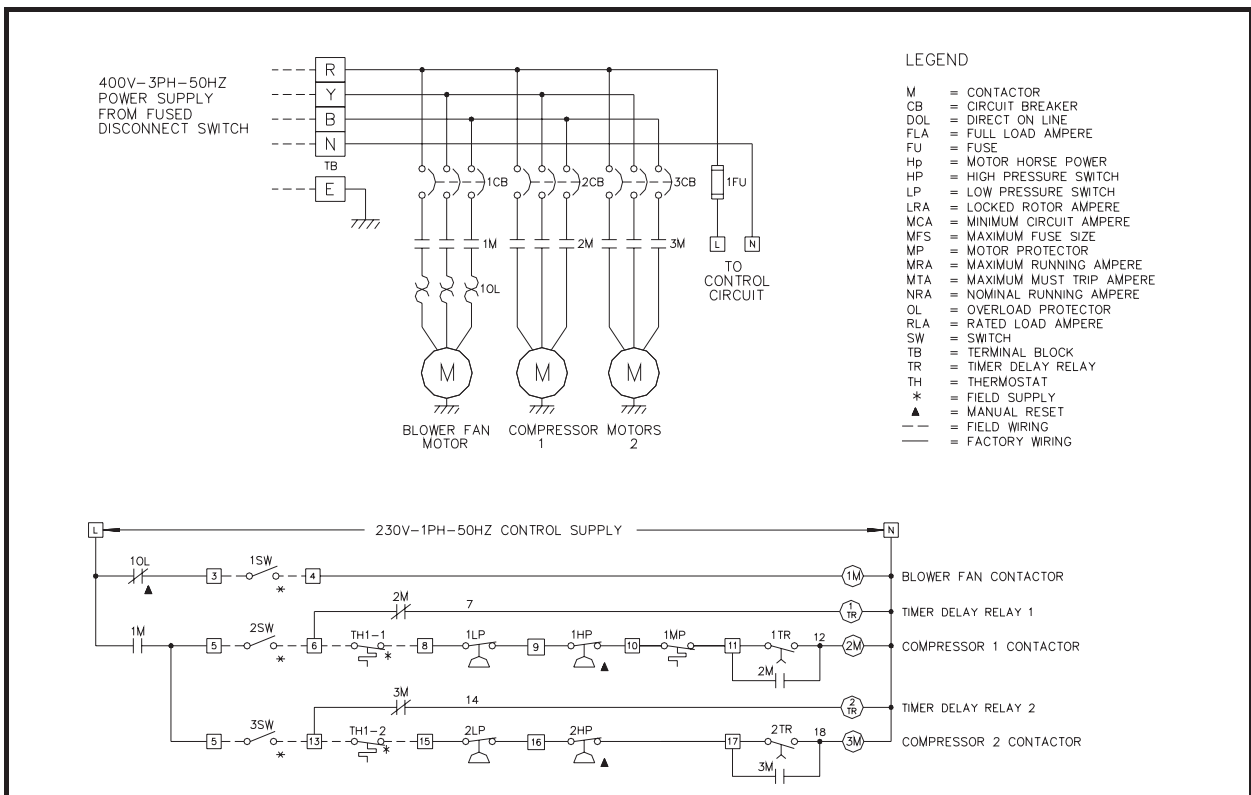


4.0 OPERATION

4.11 TYPICAL WIRING SCHEMATIC WITHOUT STARTER (COOLING)

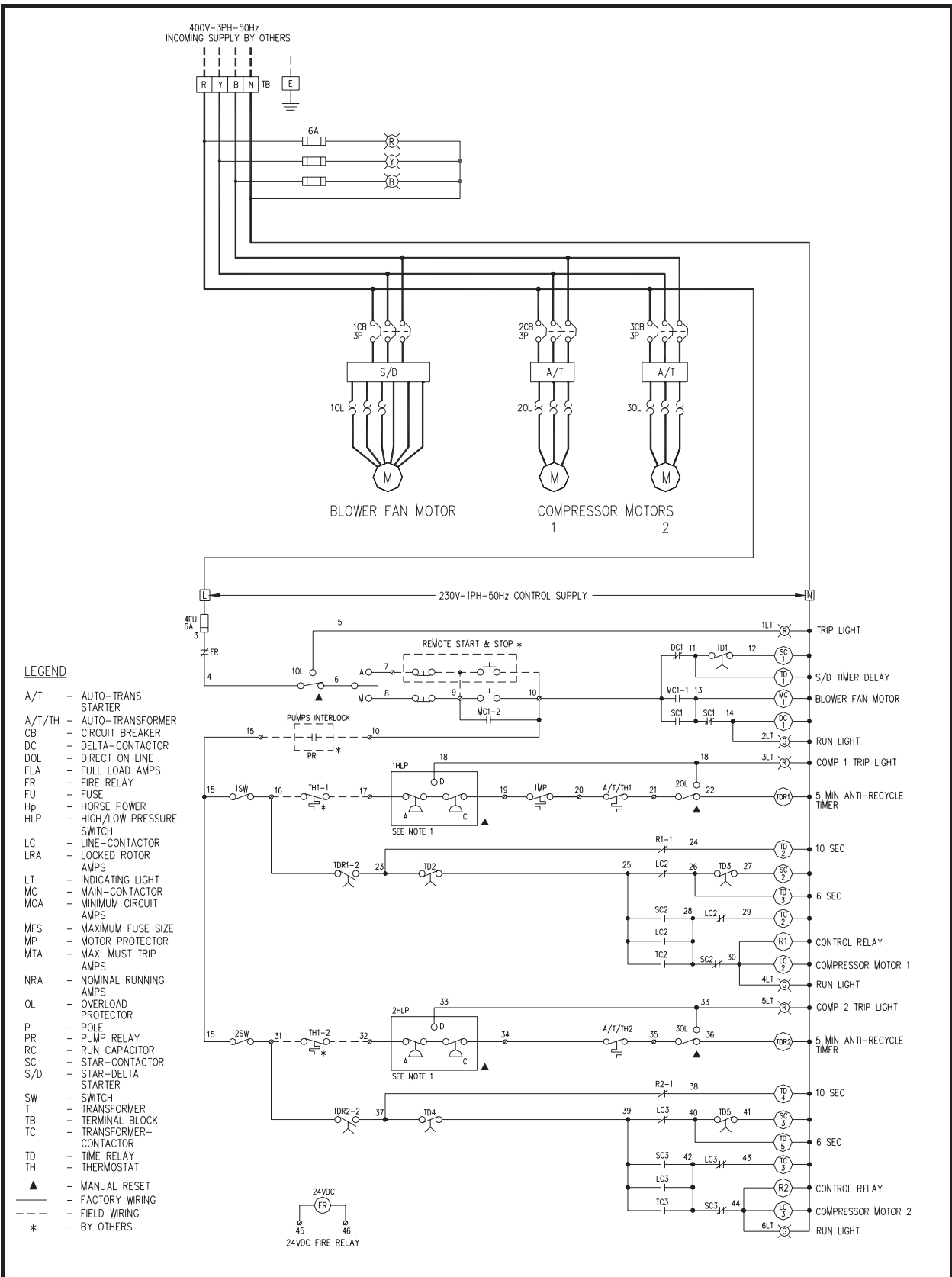


4.12 TYPICAL WIRING SCHEMATIC WITH DOL (COOLING)



4.0 OPERATION

4.13 TYPICAL WIRING SCHEMATIC WITH AUTOTRANS (COOLING)



4.0 OPERATION

4.14 TYPICAL WIRING SCHEMATIC (HEAT PUMP)

UNIT ELECTRICAL RATING

MODEL	6MCP5 95B-HP	6MCP5 190B-HP
NRA	17.6A	32.7A
MRA	35.0A	64.0A
LRA	164.0A	350.0A
HP	3	5
FLA	8.1A	12.7A
LRA	43.2A	69.1A
FLA	25.7A	45.4A
MCA	30.1A	53.6A
MFS	45.0A	80.0A

NOTE
 1. IF COMPRESSOR WITHOUT THERMOSTAT MOTOR PROTECTORS, PLACE JUMPER BETWEEN THE TERMINAL 6A & 10.
 2. WHEN HIGH-PRESSURE SWITCH AND LOW-PRESSURE SWITCH ARE REPLACED BY HIGH-LOW PRESSURE SWITCH, THE WIRING IS AVAILABLE INSIDE THE CONTROL BOX IF SPACE IS AVAILABLE.



SET POINTS

HLP = HIGH 275 PSIG / 50 PSIG DIFF.
 LPL = LOW 35 PSIG / 10 PSIG DIFF.

LEGEND

- M = CONTACTOR
- CB = CIRCUIT BREAKER
- FU = FUSE
- FLA = FULL LOAD AMPS
- FS = FLOW SWITCH
- HP = HORSE POWER
- HP = HIGH PRESSURE SWITCH
- HLP = HIGH-LOW PRESSURE SWITCH
- LP = LOW PRESSURE SWITCH
- LPL = LOW PRESSURE SWITCH
- LRA = LOCK ROTOR AMPS
- MCA = MAXIMUM CIRCUIT AMPS
- MFS = MAXIMUM FUSE SIZE
- MRA = MAXIMUM RUNNING AMPS
- MCA = MAXIMUM CIRCUIT AMPS
- TR = TIMER DELAY RELAY
- OL = OVERLOAD PROTECTOR
- R = RELAY
- SOL = SOLENOID
- SW = SWITCH
- TF = TRANSFORMER
- TB = TERMINAL BLOCK
- TH = THERMOSTAT
- * = FIELD SUPPLY
- ▲ = MANUAL RESET
- = FIELD WIRING
- = FACTORY WIRING
- △ = SEE NOTE '1'

