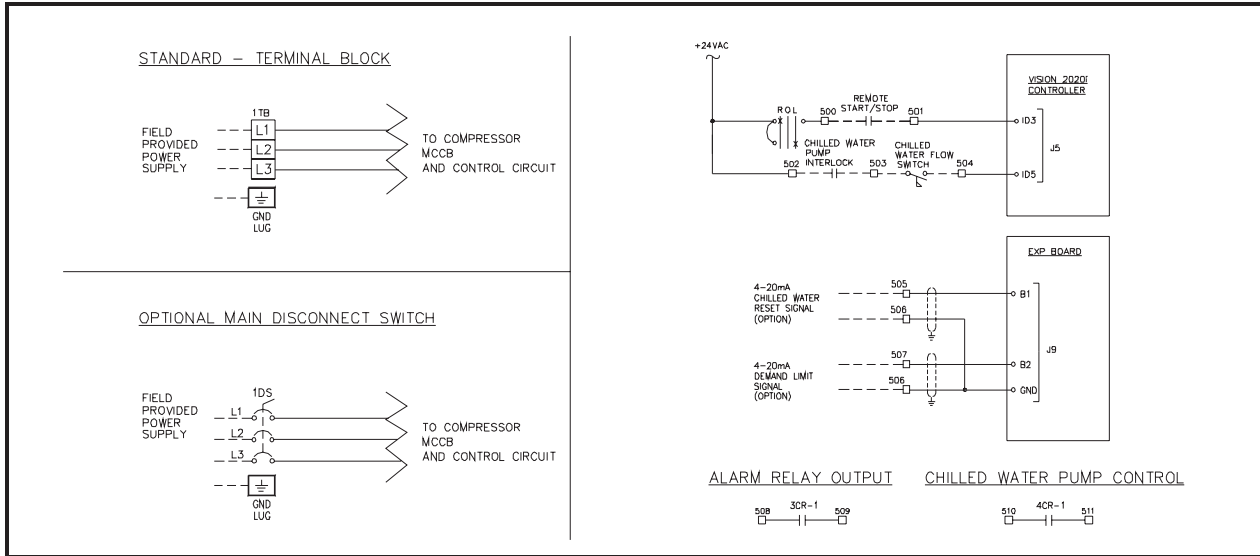


# 3.0 INSTALLATION

**Figure 3.16.1 TYPICAL FIELD WIRING DIAGRAM**

**1 COMPRESSOR (AP.BAIC115T, 140T, 170T, 200T, 225T, 265T, 300T)**



**2 COMPRESSORS (AP.BAIC225U, 280U, 330U, 380U, 400U, 470N)**

